

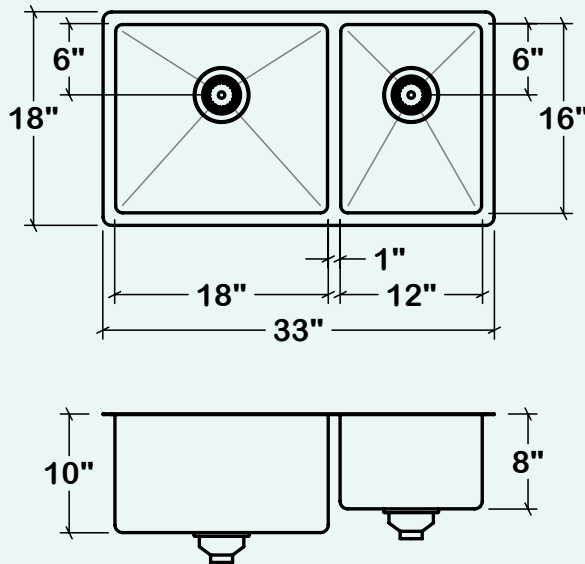
IH75-UR-331810-BLK

ProInox H75

Stainless steel kitchen sink

Handcrafted

Contemporary style corners [0,75"]



Installation

Undermount

Bowl

18" x 16" x 10"

12" x 16" x 8"

Overall

33" x 18" x 10"

Recommended cabinet

36")

Drain

Ø 1/2"

Packaging

38 1/8" x 23 1/4" x 14 3/8"

31 lbs

Features

- SET INCLUDES: Black stainless steel sink, black stainless steel strainer (AA-SA-3.5-BLK) and mounting hardware included, cutout template.
- UNDERMOUNT INSTALLATION: Undermount sinks are usually installed underneath a solid piece of countertop material. This installation allows to easily wipe water and crumbs into sink without getting caught between the sink edge and the countertop. It also has the advantage to create a clean look.
- NANO TECHNOLOGY: Scratch resistant for long-term use and easy maintenance
- COLOR PVD TECHNOLOGY: Used in the aerospace and biomedical fields, PVD is the most corrosion resistant coating to strengthen and protect your sink for lifetime.
- STRONG: Corrosion resistant material - 304 series (18/10)
- QUIET: Sound deadening pads for maximum noise reduction.
- SLIGHTLY ROUNDED RADIUS CORNERS give a contemporary style that is easy to clean.
- CROSS GROOVES: Stylish and functional bowl bottom grooves that facilitate water drainage.
- CERTIFICATIONS: ASME A112.19.3, CSA B45.0, et CSA B45.4, FDA approved
- LIFETIME LIMITED WARRANTY: Satisfaction guaranteed with customer service that cares.
- Must-have accessories: Custom fit bottom grids, Bin for sink (IH-BI-16), Colander for sink (IH-CA-16), Wood cutting board (IH-BA-16-MA), Plastic cutting board (IH-BB-16-WH)
- Despite the resistance of the PVD coating, the color of the sink is scratch resistant but not scratch proof. Care should be taken with sharp objects as they can scratch the surface colour leaving permanent marks.

Must-have accessories



Colander
IH-CA-16



Bin
IH-BI-16



Wood cutting board
IH-BA-16-MA



Plastic cutting board
IH-BB-16-WH