

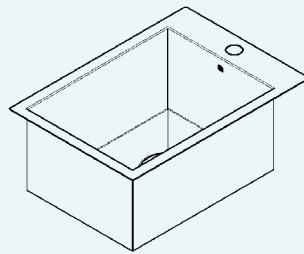
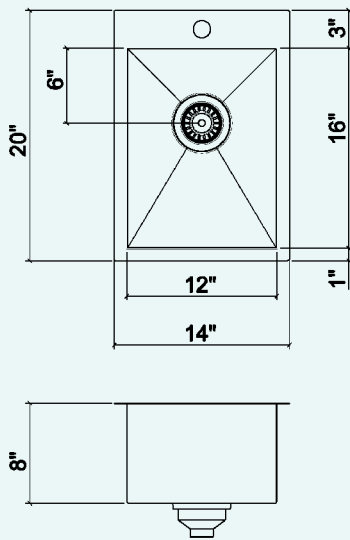
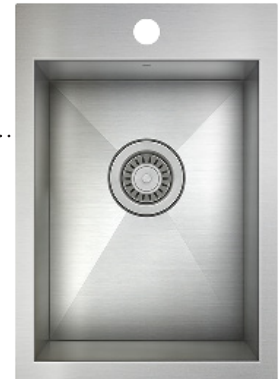
# IHO-TS-14208

ProInox H0

**Stainless steel kitchen sink**

**Handcrafted**

Urban style corners [0"]



## Installation

Topmount

## Bowl

12" x 16" x 8"

## Overall

14" x 20" x 8"

## Recommended cabinet

18"

## Drain

Ø 3 1/2"

## Packaging

23" x 14 3/8" x 17 1/2"

15 lbs

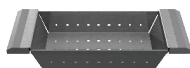
## Features

- 304 brushed finish stainless steel (18/10) – 18 gauge
- Single faucet hole (additional holes can be drilled at no charge)
- Sound deadening pads for maximum noise reduction
- Drain located towards rear providing more space under the sink
- Stainless steel strainer (AA-SA-3.5-SA) and mounting hardware included
- Product certified ASME A112.19.3, CSA B45.0, and CSA B45.4

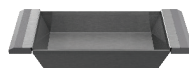
## Must-have accessories



**Grid**  
IH-G-1216



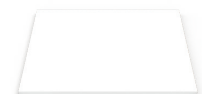
**Colander**  
IH-CA-16



**Bin**  
IH-BI-16



**Wood cutting board**  
IH-BA-16-MA



**Plastic cutting board**  
IH-BB-16-WH